

Hamburger Press Patty Maker With 4" Diameter

ITEM: 11426



Fast and easy

Ideal for fast food establishments, restaurants, or any fast-paced kitchen, Trento's top-down press patty maker will help you create perfect, uniform patties whether they are beef, chicken, turkey, or veggie.

FEATURES:

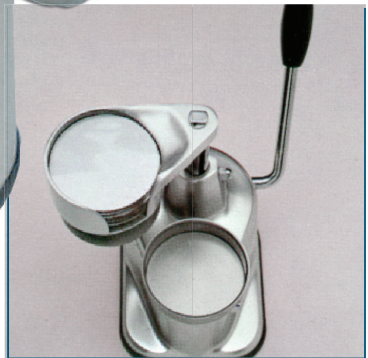
- Hamburger press is of anodized aluminium construction
- Food contact areas are made of stainless steel
- Upward push to make the extraction easier
- Simple to operate and easy to clean
- Easy to disassemble
- Cellophane papers available separately



► **Hamburger Press Paper for 11426**
(Item sold separately)

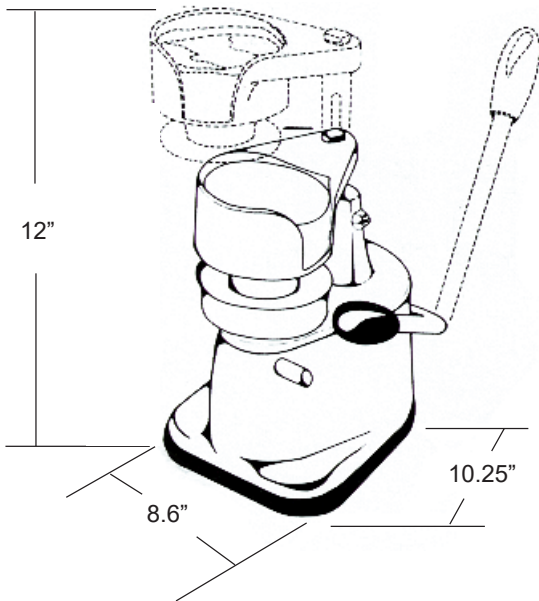
11427 | Hamburger Press Paper
Approximately 1890 sheets for 11426

Item 11427 - Cellophane Paper for 11426



TOP VIEW OF 11426

**TECHNICAL DRAWING
AND DIMENSIONS**



Technical Specification

Item	11426
Type	4" (101 mm) Diameter
Capacity	6.75 oz (max)
Net Weight	10 lb. (4.55 kg.)
Net Dimensions (WDH)	8.6" x 10.25" x 11" (218 x 260 x 280 mm)
Gross Weight	11 lb. (5 kg.)
Gross Dimensions (WDH)	11" x 10" x 13" (280 x 254 x 330 mm)